



# Learning Friends 100 Words Book™



## Parent's Guide

This guide contains important information. Please keep it for future reference.

91-009714-013 US

## INTRODUCTION

Thank you for purchasing the **Learning Friends 100 Words Book™**. Get ready to explore one hundred words in English and Spanish! Learn about words in 12 categories, sing along to learning songs and play fun sound effects while building vocabulary—an important skill linked to future reading success.



## INCLUDED IN THIS PACKAGE

- One Learning Friends 100 Words Book™
- One parent's guide

### WARNING:

All packing materials such as tape, plastic sheets, packaging locks, removable tags, cable ties and packaging screws are not part of this toy and should be discarded for your child's safety.

### NOTE:

Please keep this parent's guide as it contains important information.

### ATTENTION:

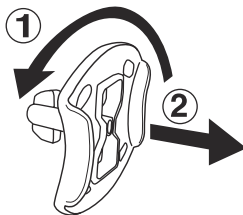
Pour la sécurité de votre enfant, débarrassez-vous de tous les produits d'emballage tels que rubans adhésifs, feuilles de plastique, attaches, étiquettes et vis d'emballage. Ils ne font pas partie du jouet.

### NOTE:

Il est conseillé de conserver ce guide des parents car il comporte des informations importantes.

### Unlock the packaging locks:

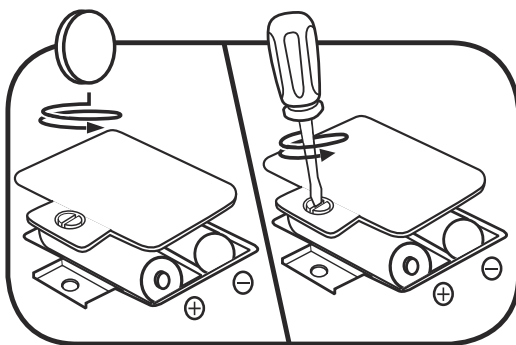
- ① Rotate the packaging lock 90 degrees counterclockwise.
- ② Pull out the packaging lock and discard.



# GETTING STARTED

## BATTERY INSTALLATION

1. Make sure the unit is turned **OFF**.
2. Locate the battery cover on the back of the unit.
3. Use a screwdriver to loosen the screw and open the battery cover.
4. Install 2 new AA (AM-3/LR6) batteries into the battery box as illustrated. (The use of new alkaline batteries is recommended for maximum performance.)
5. Replace the battery cover and tighten the screw to secure.





## BATTERY NOTICE

- Use new alkaline batteries for maximum performance.
- Use only batteries of the same or equivalent type as recommended.
- Do not mix different types of batteries: alkaline, standard (carbon-zinc) or rechargeable, or new and used batteries.
- Do not use damaged batteries.
- Insert batteries with the correct polarity.
- Do not short-circuit the battery terminals.
- Remove exhausted batteries from the toy.
- Remove batteries during long periods of non-use.
- Do not dispose of batteries in fire.
- Do not charge non-rechargeable batteries.
- Remove rechargeable batteries from the toy before charging (if removable).
- Rechargeable batteries are only to be charged under adult supervision.

## MISE EN GARDE

- Utiliser des piles alcalines neuves pour des performances maximales.
- Seules des piles du type recommandé doivent être utilisées.
- Ne pas mélanger différents types de piles ou d'accumulateurs, ne pas mélanger des piles ou des accumulateurs neufs avec des usagés.
- Ne pas utiliser des piles ou des accumulateurs endommagés.
- Mettre en place les piles ou les accumulateurs en respectant les polarités + et -.
- Ne pas mettre les bornes d'une pile ou d'un accumulateur en court-circuit (en reliant directement le + et le -).
- Enlever les piles ou les accumulateurs usagés du jouet.
- Retirer les piles ou les accumulateurs en cas de non-utilisation prolongée.
- Ne les jeter ni au feu ni dans la nature.
- Ne pas tenter de recharger des piles non rechargeables.
- Enlever les accumulateurs du jouet pour les recharger.
- Les accumulateurs ne doivent être chargés que sous la surveillance d'un adulte.

## PRODUCT FEATURES

### 1. Off/Low/High Volume Switch

Slide the **Off/Low/High Volume Switch** to turn the unit **ON** and select the volume.



### 2. MUSIC BUTTON

Press the **Music Button** anytime to hear two learning songs in English or in Spanish.



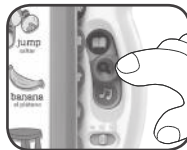
### 3. LANGUAGE SWITCH

Slide the **Language Switch** to hear the book in English or in Spanish.



### 4. MODE SWITCH

Slide the **Mode Switch** to choose Word Mode, Fun Facts Mode or Fun Sounds Mode.



### 5. AUTOMATIC SHUT OFF

To save power, the **Learning Friends 100 Words Book™** automatically shuts down after 30 seconds without input. Open the book or change mode to turn the unit **ON** again.



## ACTIVITIES:

### 1. Word Mode

Slide the **Mode Switch** to the top for Word Mode. Press pictures on the book pages to learn about toddler-appropriate words.

### 2. Fun Facts Mode

Slide the **Mode Switch** to the middle position for Fun Facts Mode. Press pictures on the book pages to hear different fun facts about each picture.

### 3. Fun Sounds Mode

Slide the **Mode Switch** to the bottom position for Fun Sounds Mode. Press pictures on the book pages to hear music and sound effects.

### 4. Music

Press the light-up **Music Button** to hear two learning songs.

### 5. Language Play

Slide the English/Spanish **Language Switch** to hear the songs, directions and picture words in English or Spanish.



## CARE & MAINTENANCE

1. Keep the unit clean by wiping it with a slightly damp cloth.
2. Keep the unit out of direct sunlight and away from direct heat sources.
3. Remove the batteries when the unit is not in use for an extended period of time.
4. Avoid dropping it. Never try to dismantle it.
5. Do not drop the unit on a hard surface and do not expose the unit to excess moisture.

## TROUBLESHOOTING

If for some reason the program/activity stops working or the unit can't be turned on again, then please follow these steps:

1. Turn the unit **OFF**.
2. Interrupt the power supply by removing the batteries.
3. Let the unit stand for a few minutes, then replace the batteries.
4. Turn the unit back **ON**. The unit will now be ready to play again.
5. If the unit does not work, replace with an entire set of new batteries.



## Environmental Phenomena

The unit may malfunction if subjected to radio-frequency interference. It should revert to normal operation when the interference stops. If not, it may become necessary to turn the power **OFF** and back **ON**, or remove and reinstall the batteries. In the unlikely event of an electrostatic discharge, the unit may malfunction and lose memory, requiring the user to reset the device by removing and reinstalling the batteries.

## Impact de l'environnement

Une défaillance de fonctionnement de l'appareil peut survenir s'il est sujet à des interférences avec les fréquences radioélectriques. Le fonctionnement normal de l'appareil devrait reprendre avec l'arrêt des interférences. Si ce n'est pas le cas, il peut s'avérer nécessaire d'éteindre et rallumer l'appareil ou de retirer et réinstaller les piles. Dans l'éventualité peu probable d'une décharge électrostatique, un mauvais fonctionnement et une perte de mémoire de l'appareil peuvent se produire. L'utilisateur doit alors retirer et réinstaller les piles pour réinitialiser l'appareil.

### **IMPORTANT NOTE:**

If the problem persists, please call our Consumer Services Department at **1-800-701-5327** in the U.S. or email [support@leapfrog.com](mailto:support@leapfrog.com). Creating and developing LeapFrog® products is accompanied by a responsibility that we take very seriously. We make every effort to ensure the accuracy of the information, which forms the value of our products. However, errors sometimes can occur. It is important for you to know that we stand behind our products and encourage you to contact us with any problems and/or suggestions you might have. A service representative will be happy to help you.



**NOTE:**

This equipment has been tested and found to comply with the limits for a Class B digital device, pursuant to Part 15 of the FCC Rules. These limits are designed to provide reasonable protection against harmful interference in a residential installation. This equipment generates, uses and can radiate radio frequency energy and, if not installed and used in accordance with the instructions, may cause harmful interference to radio communications. However, there is no guarantee that interference will not occur in a particular installation. If this equipment does cause harmful interference to radio or television reception, which can be determined by turning the equipment off and on, the user is encouraged to try to correct the interference by one or more of the following measures:

- Reorient or relocate the receiving antenna.
- Increase the separation between the equipment and receiver.
- Connect the equipment into an outlet on a circuit different from that to which the receiver is connected.
- Consult the dealer or an experienced radio/TV technician for help.

THIS DEVICE COMPLIES WITH PART 15 OF THE FCC RULES. OPERATION IS SUBJECT TO THE FOLLOWING TWO CONDITIONS: (1) THIS DEVICE MAY NOT CAUSE HARMFUL INTERFERENCE, AND (2) THIS DEVICE MUST ACCEPT ANY INTERFERENCE RECEIVED, INCLUDING INTERFERENCE THAT MAY CAUSE UNDESIRE OPERATION.

*CAN ICES-3 (B)/NMB-3(B)*

**Caution:** Changes or modifications not expressly approved by the party responsible for compliance could void the user's authority to operate the equipment.



**Supplier's Declaration of Conformity**

Trade Name:	LeapFrog®
Model:	6015
Product name:	Learning Friends 100 Words Book™
Responsible Party:	LeapFrog Enterprises, Inc.
Address:	6401 Hollis Street, Suite 100, Emeryville, CA 94608
Website:	leapfrog.com



**CLASS 1  
LED PRODUCT**



*Visit our website for more  
information about our products,  
downloads, resources and more.*

***leapfrog.com***

*Read our complete warranty policy online at  
leapfrog.com/warranty.*

LeapFrog Enterprises, Inc.  
A subsidiary of VTech Holdings Limited.  
TM & © 2018 LeapFrog Enterprises, Inc.  
All rights reserved.  
91-009714-013 