



# Count-Along Basket & Scanner™

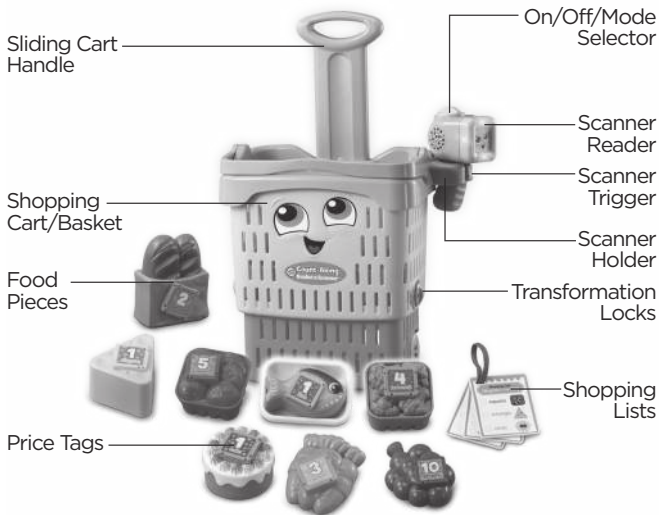


## Instruction Manual

This manual contains important information. Please keep it for future reference.

# INTRODUCTION

Thank you for purchasing the **Count-Along Basket & Scanner™!** Shop, scan and smile as you learn about numbers, colors, shapes, food names and nutrition.



# INCLUDED IN THE PACKAGE

- **Count-Along Basket & Scanner™**
- 3 double-sided shopping list cards with strap
- 8 food pieces
- Quick Start Guide

## WARNING

All packing materials such as tape, plastic sheets, packaging locks, removable tags, cable ties, cords and packaging screws are not part of this toy, and should be discarded for your child's safety.

## NOTE

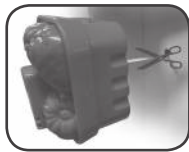
Please save this Instruction Manual as it contains important information.

## ATTENTION

Pour la sécurité de votre enfant, débarrassez-vous de tous les produits d'emballage tels que rubans adhésifs, feuilles de plastique, attaches, étiquettes, cordons et vis d'emballage. Ils ne font pas partie du jouet.

## NOTE

Il est conseillé de sauvegarder ce manuel d'instructions car il comporte des informations importantes.



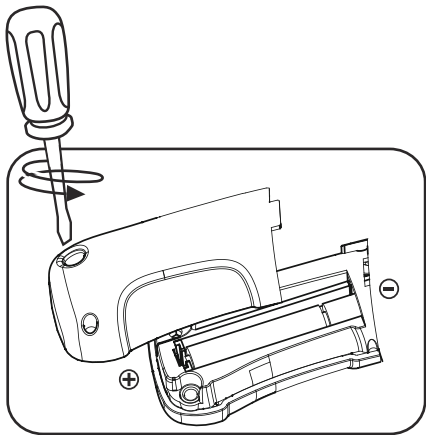
## NOTE

Please cut and discard the cords before playing with the unit. The cords are not part of the product and should be discarded for your child's safety.

# GETTING STARTED

## BATTERY REMOVAL AND INSTALLATION

1. Make sure the unit is turned **Off**.
2. Find the battery cover located on the back of the unit, use a screwdriver to loosen the screw, and then open the battery cover.
3. Remove old batteries by pulling up on one end of each battery.
4. Install 2 new AAA (AM-4/LR03) batteries following the diagram inside the battery box. (For best performance, alkaline batteries or fully charged Ni-MH rechargeable batteries are recommended).
5. Replace the battery cover and tighten the screw to secure.





## **WARNING:**

Adult assembly required for battery installation.  
Keep batteries out of reach of children.



## **ATTENTION :**

Les piles ou accumulateurs doivent être installés par un adulte.

Tenir les piles ou accumulateurs hors de portée des enfants.

## **IMPORTANT: BATTERY INFORMATION**

- Insert batteries with the correct polarity (+ and -).
- Do not mix old and new batteries.
- Do not mix alkaline, standard (carbon-zinc) or rechargeable batteries.
- Only batteries of the same or equivalent type as recommended are to be used.
- Do not short-circuit the supply terminals.
- Remove batteries during long periods of non-use.
- Remove exhausted batteries from the toy.
- Dispose of batteries safely. Do not dispose of batteries in fire.

## **RECHARGEABLE BATTERIES:**

- Remove rechargeable batteries from the toy before charging.
- Rechargeable batteries are only to be charged under adult supervision.
- Do not charge non-rechargeable batteries.

# PRODUCT FEATURES

## 1. On/Off Mode Selector

Slide the **On/Off Mode Selector** to turn the toy on and select the mode.



## 2. Scanner Trigger

Pull the **Scanner Trigger** to activate scanner sounds.



## 3. Food Pieces

Insert price tags into the square **Scanner Reader** (located on the front of the scanner) to trigger silly learning phrases and sounds. To detach from the scanner, gently pull the food out or press the **Scanner Trigger**.



## 4. Shopping Lists

Scan all the items on a **Shopping List** to play encouraging sounds and phrases.



## 5. Shopping Cart/Basket

Pull the cart or carry the basket for pretend shopping fun.



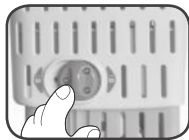
## 6. Sliding Cart Handle

Slide the handle out of the basket to pull the cart. The toy must be in cart mode for the wheels to spin freely when pulled.



## 7. Transformation Locks

Activate the **Transformation Locks** to transform the cart into a basket and back again. For your child's safety, only adults should transform the cart/basket.



## 8. Scanner Holder

Insert the scanner into the **Scanner Holder** when not in use.

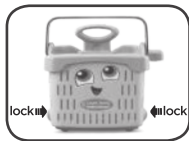


## 9. Automatic Shut-Off

To preserve battery life, the unit will automatically shut off after approximately 45 seconds without input. The unit can be turned on again by pressing the trigger, switching modes or inserting food price tags into the square **Scanner Reader**.

# TOY TRANSFORMATION

1. For safety reasons, have an adult transform the basket. Locate the **Transformation Locks** on both sides of the cart.



2. One at a time, press the buttons and slide to the right to the unlocked position.



3. Slide the unit up or down to transform to cart or basket.



4. Once in the desired form, slide both **Transformation Locks** left to the locked position.



## ACTIVITIES

### 1. Learn Mode

Change the **On/Off/Mode Selector** on the scanner to the magnifying glass icon. Insert price tags on the **Food Pieces** into the square **Scanner Reader** on the front of the scanner to hear food names, numbers, colors, shapes and melodies.



## 2. Counting Mode

Change the **On/Off/Mode Selector** on the scanner to the numbers icon. Instructions will tell how many items to scan. Insert price tags on the **Food Pieces** into the square **Scanner Reader** on the front of the scanner to scan and count food items.

## 3. Game Mode

Bargain bonanza! Change the **On/Off/Mode Selector** on the scanner to the star icon. The toy will describe different types of food. Scan the correct food as quickly as you can! To increase the challenge, spread the **Food Pieces** farther apart.

## 4. Shopping Lists

Scan all the items on any of the six **Shopping Lists** in order. Start with the items at the top of the list and move downwards. Properly scanning all the items on a list in order triggers rewarding sounds and phrases.

# CARE & MAINTENANCE

1. Keep the unit clean by wiping it with a slightly damp cloth.
2. Keep the unit out of direct sunlight and away from any direct heat sources.
3. Remove the batteries if the unit will not be in use for an extended period of time.
4. Do not drop the unit on hard surfaces and do not expose the unit to moisture or water.

# TROUBLESHOOTING

If for some reason the program or activity stops working, please follow these steps:

1. Turn the unit **Off**.
2. Interrupt the power supply by removing the batteries.
3. Let the unit stand for a few minutes, then replace the batteries.
4. Turn the unit back **On**. The unit should now be ready to use again.
5. If the unit still does not work, install a new set of batteries.

## Environmental Phenomena

The unit may malfunction if subjected to radio-frequency interference. It should revert to normal operation when the interference stops. If not, it may become necessary to turn the power **Off** and back **On**, or remove and reinstall the batteries. In the unlikely event of an electrostatic discharge, the unit may malfunction and lose memory, requiring the user to reset the device by removing and reinstalling the batteries.

## Impact de l'environnement

Une défaillance de fonctionnement de l'appareil peut survenir s'il est sujet à des interférences avec les fréquences radioélectriques. Le fonctionnement normal de l'appareil devrait reprendre avec l'arrêt des interférences. Si ce n'est pas le cas, il peut s'avérer nécessaire d'éteindre et rallumer l'appareil ou de retirer et réinstaller les piles. Dans l'éventualité peu probable d'une décharge électrostatique, un mauvais fonctionnement et une perte de mémoire de l'appareil peuvent se produire. L'utilisateur doit alors retirer et réinstaller les piles pour réinitialiser l'appareil.

**NOTE**

This equipment has been tested and found to comply with the limits for a Class B digital device, pursuant to Part 15 of the FCC Rules. These limits are designed to provide reasonable protection against harmful interference in a residential installation. This equipment generates, uses and can radiate radio frequency energy and, if not installed and used in accordance with the instructions, may cause harmful interference to radio communications. However, there is no guarantee that interference will not occur in a particular installation. If this equipment does cause harmful interference to radio or television reception, which can be determined by turning the equipment off and on, the user is encouraged to try to correct the interference by one or more of the following measures:

- Reorient or relocate the receiving antenna.
- Increase the separation between the equipment and receiver.
- Connect the equipment into an outlet on a circuit different from that to which the receiver is connected.
- Consult the dealer or an experienced radio/TV technician for help.

**CAUTION**

Changes or modifications not expressly approved by the party responsible for compliance could void the user's authority to operate the equipment.

**IMPORTANT NOTE:**

If the problem persists, please call our Consumer Services Department at **1-800-701-5327** in the U.S. or email [support@leapfrog.com](mailto:support@leapfrog.com). Creating and developing LeapFrog® products is accompanied by a responsibility that we take very seriously. We make every effort to ensure the accuracy of the information, which forms the value of our products. However, errors sometimes can occur. It is important for you to know that we stand behind our products and encourage you to contact us with any problems and/or suggestions you might have. A service representative will be happy to help you.

**Supplier's Declaration of Conformity  
47 CFR § 2.1077 Compliance Information**

Trade Name:	LeapFrog®
Model:	6142
Product Name:	Count-Along Basket & Scanner™
Responsible Party:	LeapFrog Enterprises, Inc.
Address:	2200 Powell Street, Suite 500 Emeryville, California 94608
Website:	<a href="http://leapfrog.com">leapfrog.com</a>

THIS DEVICE COMPLIES WITH PART 15 OF THE FCC RULES. OPERATION IS SUBJECT TO THE FOLLOWING TWO CONDITIONS: (1) THIS DEVICE MAY NOT CAUSE HARMFUL INTERFERENCE, AND (2) THIS DEVICE MUST ACCEPT ANY INTERFERENCE RECEIVED, INCLUDING INTERFERENCE THAT MAY CAUSE UNDESIRE OPERATION.  
CAN ICES-003 (B)/NMB-003(B)



***Visit our website for more  
information about our products,  
downloads, resources and more.***

***leapfrog.com***

***Read our complete warranty policy online  
at [leapfrog.com/warranty](http://leapfrog.com/warranty)***

LeapFrog Enterprises, Inc.,  
A subsidiary of VTech Holdings Limited.  
TM & © 2021 LeapFrog Enterprises, Inc.  
All rights reserved.  
IM-614200-001  
Version:0